

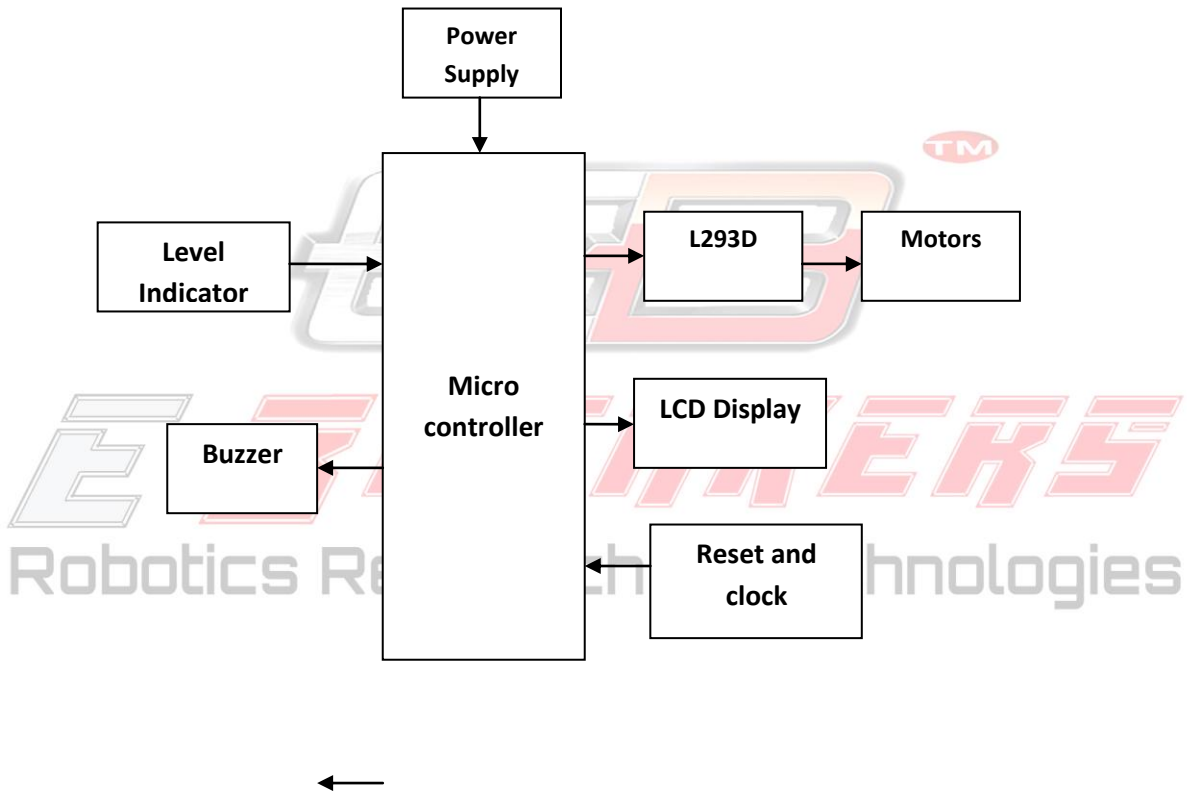
WATER LEVEL CONTROLLER USING 8051 MICROCONTROLLER WITH LCD DISPLAY MONITORING SYSTEM

Description:

This article illustrates the construction and working of a liquid/water level indicator. Such an indicator is used in tanks to indicate the level of liquids and alert us when the tank is full. So by this circuit we can monitor the various levels of the tank and can avoid spillage of water and also we can configure our supplies according to the various levels of tank. Such module or circuit can be installed in big buildings where manual monitor of tanks is difficult and its indicator can be placed at some centralised place.

Robotics Research & Technologies

Block diagram:



Hardware requirements:

1. Micro Controller
2. LCD
3. L293d
4. Motors
5. Buzzer
6. Level Indicator



Software requirements:

1. Keil software
2. Embedded c

EBREAKERS
Robotics Research & Technologies

