

## TRAFFIC LIGHT CONTROLLER USING 8051 MICROCONTROLLER WITH TIME BASE

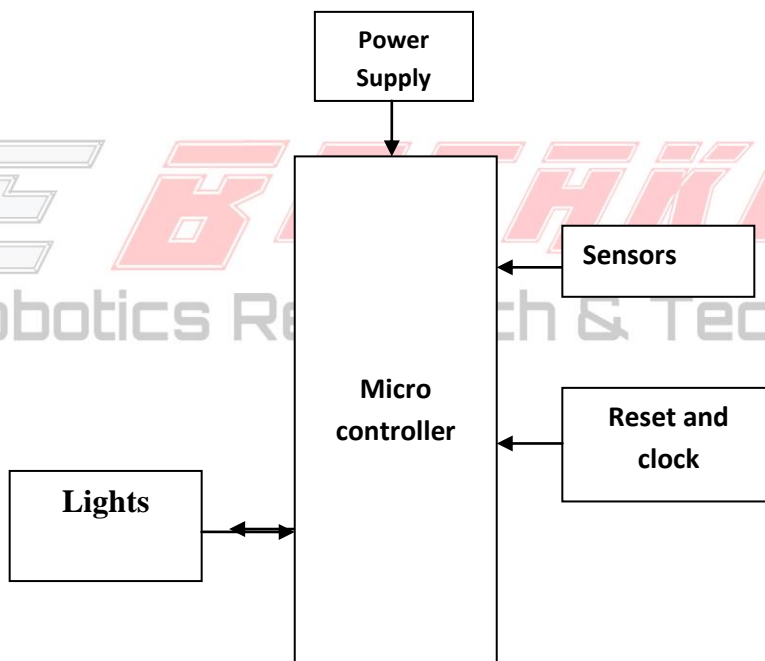
### Description:

Vehicular traffic at intersecting streets is typically controlled by traffic control lights. The function of traffic lights requires sophisticated control and coordination to ensure that traffic moves as smoothly and safely as possible.

In recent days electro-mechanical controllers are replaced by electronic circuits. The accuracy & fault tolerant drive towards electronic circuits. This project is developed to meet the requirements of solid state traffic light controller by adopting microcontroller as the main controlling element, and led's as the indication of light. A micro controller is interfaced to led's provide for centralized control of the traffic signals. Microcontroller is programmed in such a way to adjust their timing and phasing to meet changing traffic conditions. The circuit besides being reliable and compact is also cost effective.



**Block diagram:**



**Hardware requirements:**

1. Micro controller
2. lights
3. sensors

**Software requirements:**

1. Keil software
2. Embedded c

