

## 7 SEVEN SEGMENT DRIVER 8051 MICROCONTROLLER

### Description:

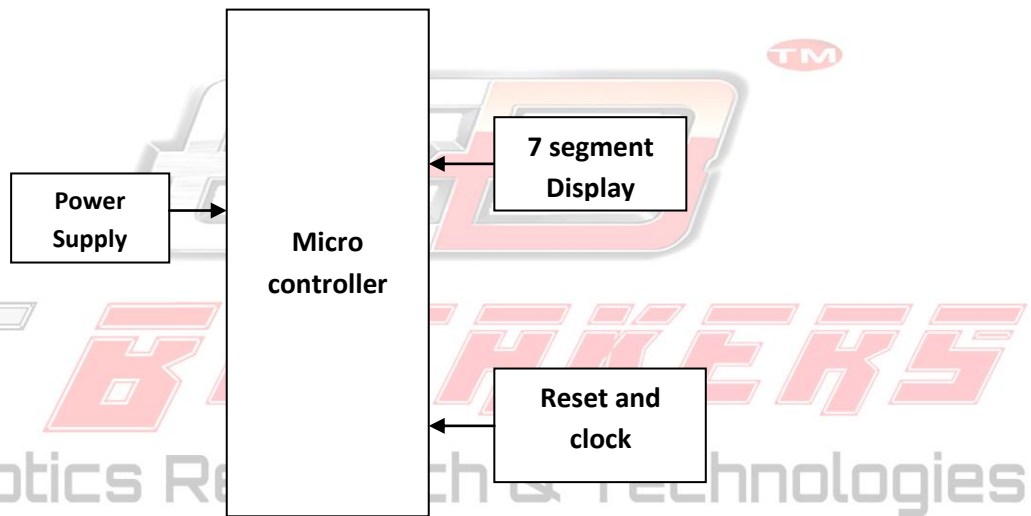
Seven Segment displays are used in a number of systems to display the numeric information. The seven segment can display one digit at a time. Thus the no. of segments used depends on the no. of digits in the number to be displayed. Interfacing seven segment with a controller or MCU is tricky. This article explains the interfacing of seven segment with MCU AT89C51. It displays the digits 0 to 9 continuously at a predefined time delay.

A seven segment consists of eight LEDs which are aligned in a manner so as to display digits from 0 to 9 when proper combination of LED is switched on. Seven segment uses seven LED's to display digits from 0 to 9 and the eighth LED is used for the dot.

**EBREAKERS**  
Robotics Research & Technologies



**Block diagram:**



**Hardware requirements:**

1. Micro controller
2. 7 segment display



**Software requirements:**



1. Keil software
2. Embedded c

