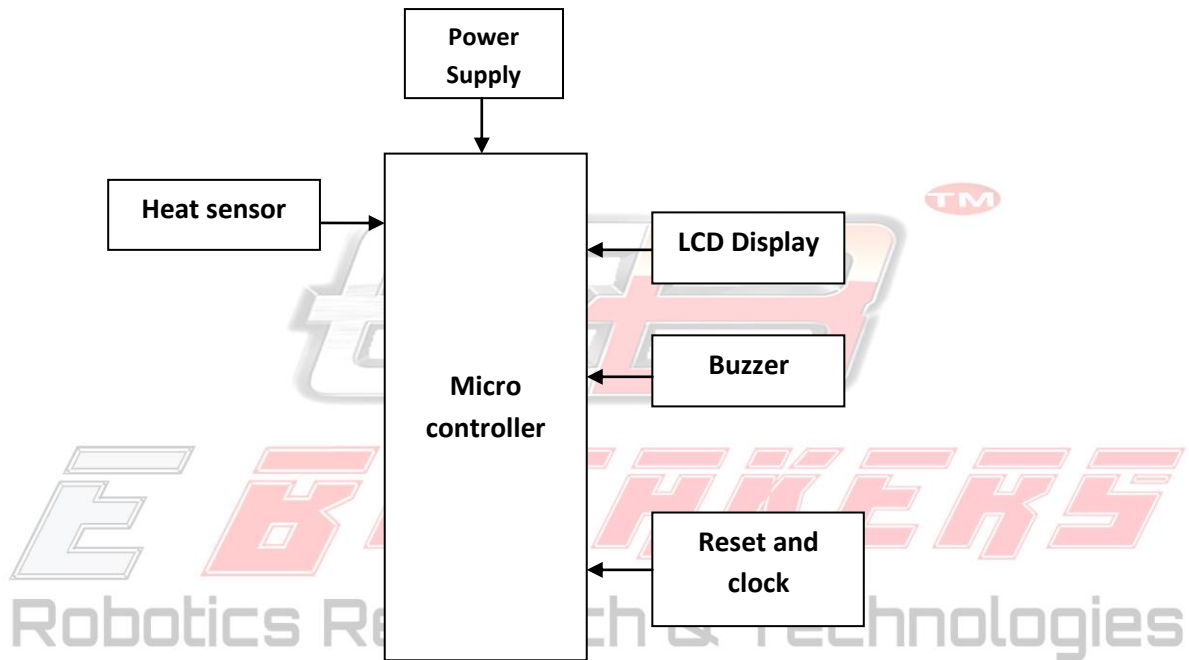


HEAT SENSOR KIT

Description:



Block diagram:



Hardware requirements:

1. Micro controller
2. LCD
3. Heat sensor
4. Buzzer

Software requirements:

1. Keil software
2. Embedded c

