

FIRE SENSOR USING 8051 MICRO CONTROLLER

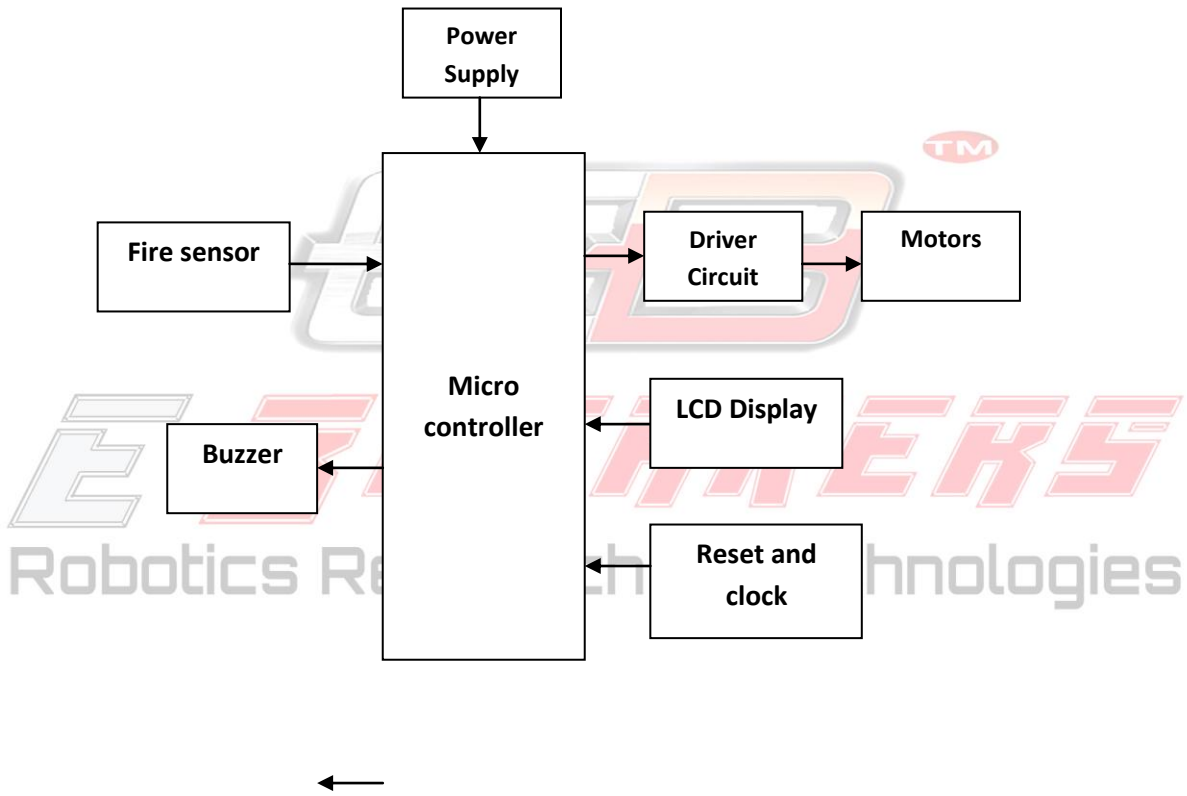
Description:

Every system is automated in order to face new challenges in the present day situation. Automated systems have less manual operations, so that the flexibility, reliabilities are high and accurate. Hence every field prefers automated control systems. Especially in the field of electronics automated systems are doing better performance.



EBREAKERS
Robotics Research & Technologies

Block diagram:



Hardware requirements:

1. Micro controller
2. LCD
3. Fire sensor
4. Motors
5. Buzzer



Software requirements:

1. Keil software
2. Embedded c

EBREAKERS
Robotics Research & Technologies

