

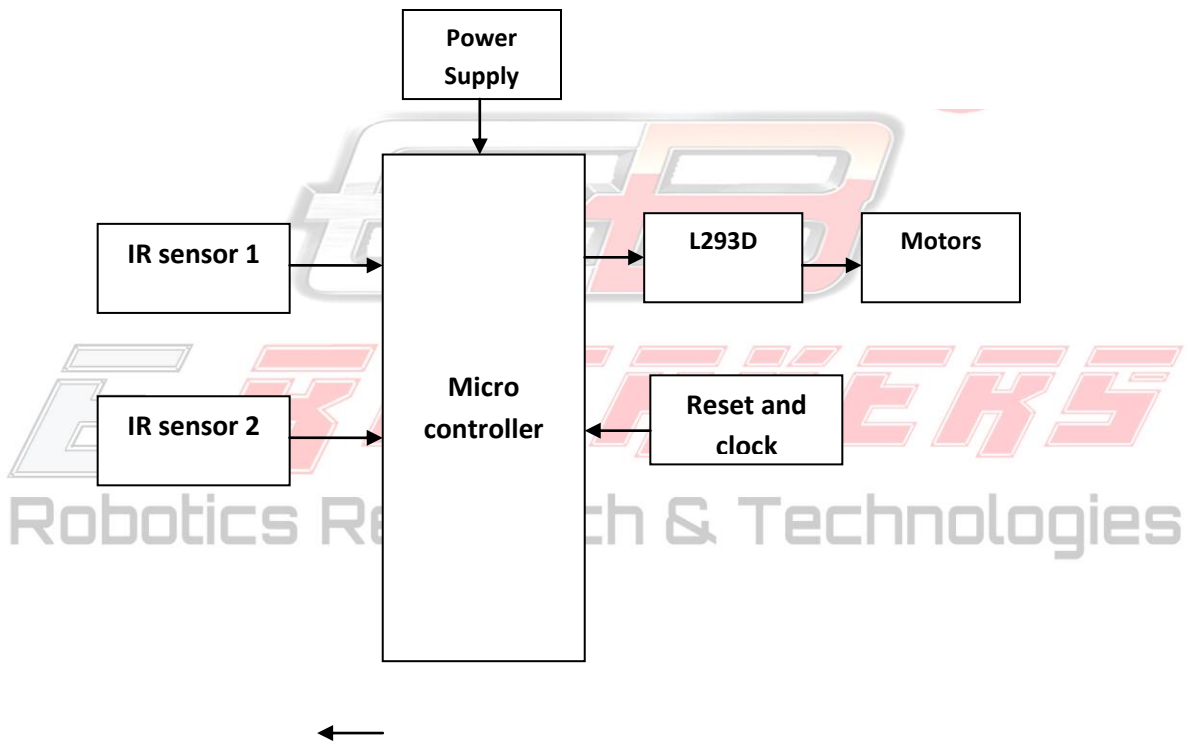
AUTOMATION OF RAILWAY CROSSING 8051 MICROCONTROLLER

Description:

A Line tracker is an autonomous bot that can follow a specific colour line painted on a surface of different contrast, such as white on black.

Line-Tracker robots with pick- and- placement capabilities are commonly used in manufacturing plants. These move on a specified path to pick the components from specified locations and place them on desired locations. Basically, a line- tracker robot is a self-operating robot that detects and follows a line drawn on the floor. The path to be taken is indicated by a white line on a black surface. The control system used must sense the line and manoeuvre the robot to stay on course while constantly correcting the wrong moves using feedback mechanism, thus forming a simple yet effective closed- loop system.

Block diagram:



Hardware requirements:

1. Micro Controller
2. Ir Sensors
3. L293d
4. Motors

Software requirements:

1. Keil software
2. Embedded c

