

## TOUCHPAD CONTROLLERS FOR HOME APPLICATIONS

### Description:

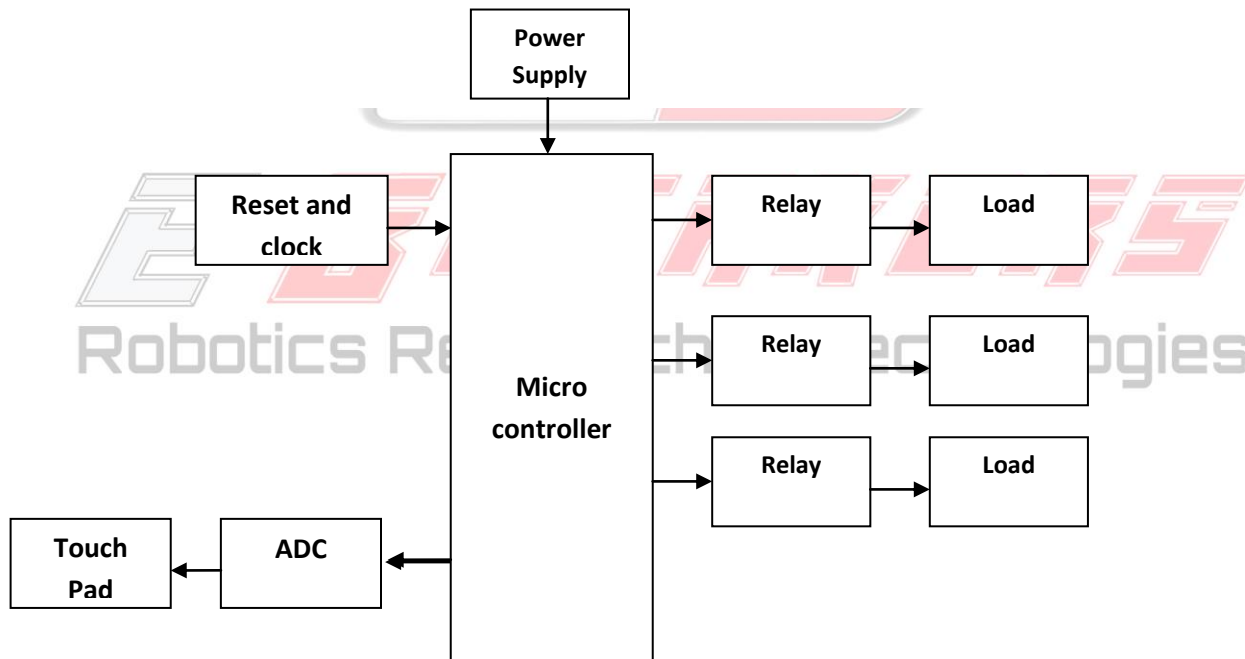
The project mainly aims in designing completely automated switch board with the help of touch screen sensor to control the house hold appliances and also provide a user friendly environment of the user to operate the devices effectively. It majorly aims in providing a reliable system for illiterates and old people who finds difficulty in operating few high end devices like AC, water heaters etc.

Automation is the most frequently spelled term in the field of electronics. The hunger for automation brought many revolutions in the existing technologies. One among the technologies, which had greater developments, is the touch screen sensor. These had greater importance than any other technologies due to its user-friendly nature. Touch screen based devices can be easily reachable to the common man due to its simpler operation, and at the same time it challenges the designers of the device. These touch screen sensors can be used as a replacement of the existing switches in home which produces sparks and also results in fire accidents in few situations.

Considering the advantages of touch screen sensors an advanced automation system was developed to control the appliances in the house. The device consists of a microcontroller, which is interfaced with the input and output modules, the controller acts as an intermediate medium between both of them. So the controller

can be termed as a control unit. The input module is a touch screen sensor, which takes the input from the user and fed it to the microcontroller. The output module is the appliances to be controlled. Here the microcontroller receives the input from the touch sensor and switches the device with respect to the input.

**Block diagram:**



**Hardware requirements:**

1. Micro Controller
2. Touch Pad
3. ADC
4. Relay Driver
5. Load

**Software requirements:**

1. Keil software
2. Embedded c

