


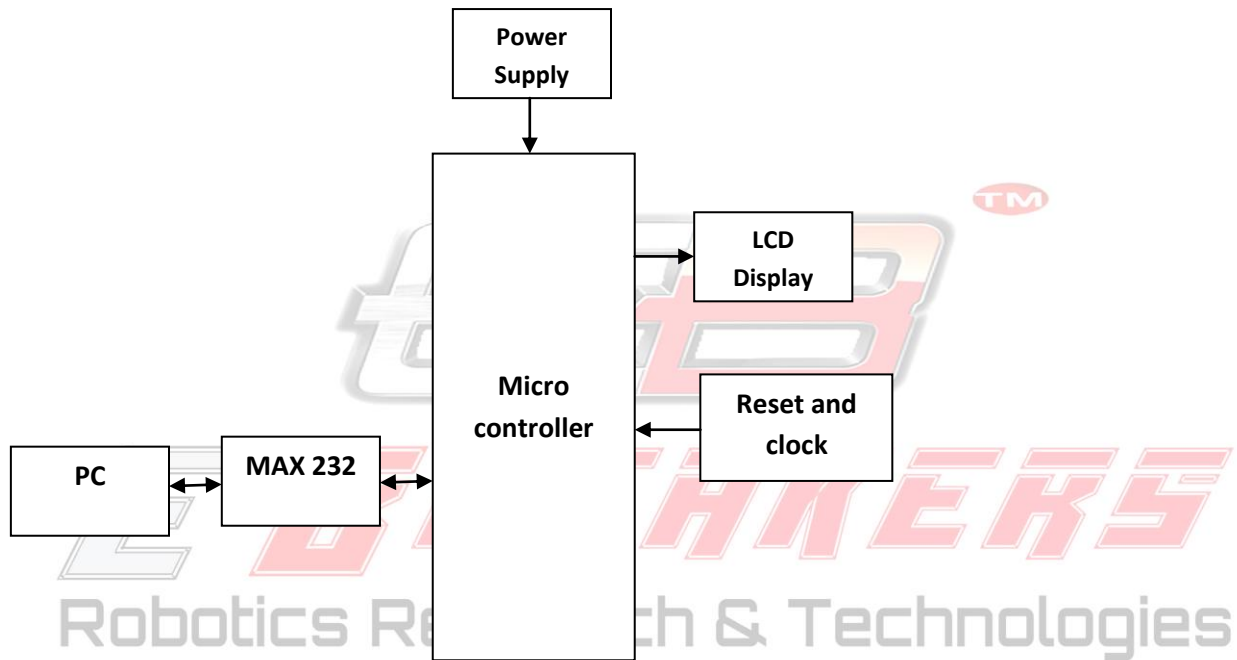
RS232 9PIN DATA BUS SIGNALS TRANSMITTING AND RECEIVING USING 8051 MICROCONTROLLER

Description:

RS232 was used as a standard port for communication between different devices like printers, mouse, modems and all other type of computer peripherals and the computer. In terms of definition, RS232 can be defined as point to point communication between the Data Terminal Equipment (DTE) and Data Communication Equipment (DCE). On RS 232, 920 Kbps of data speed is achievable and the fact that it is called a serial port is that it transfers data bit by bit. RS232 comes in two different variants of D-style 9 pin and 25 pin the former is called as DB 9 connector and the later is called as DB 25 connector, however only three pins are required for communication.



Block diagram:



Hardware requirements:

1. Micro Controller
2. PC
3. MAX 232
4. Lcd Display

Software requirements:

1. Keil software
2. Embedded c

