

## MICROCONTROLLER BASED RELAY ARRAY SWITCHING

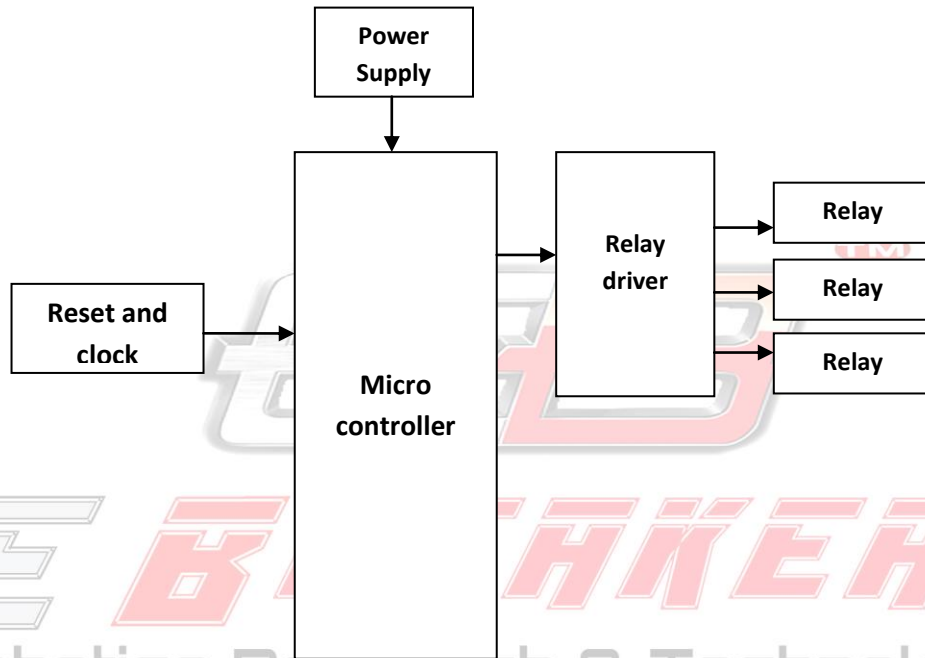
### Description:

Relay breakout module is a smart choice for controlling higher current loads from your microcontroller development board, PC parallel port or your favourite Arduino. This board has sixteen on-board relays which can switch up to 10A. All relay terminals (C, NC, NO) are accessible through screw terminals which makes wiring up the board very easy. The relays are driven by popular darlington array ULN2803. Relay coil is rated for 12VDC.



**EBREAKERS**

**Block diagram:**



**E B A K E R S**  
Robotics Research & Technologies



**Hardware requirements:**

1. Micro Controller
2. Relay driver
3. Realy

**Software requirements:**

1. Keil software
2. Embedded c

