

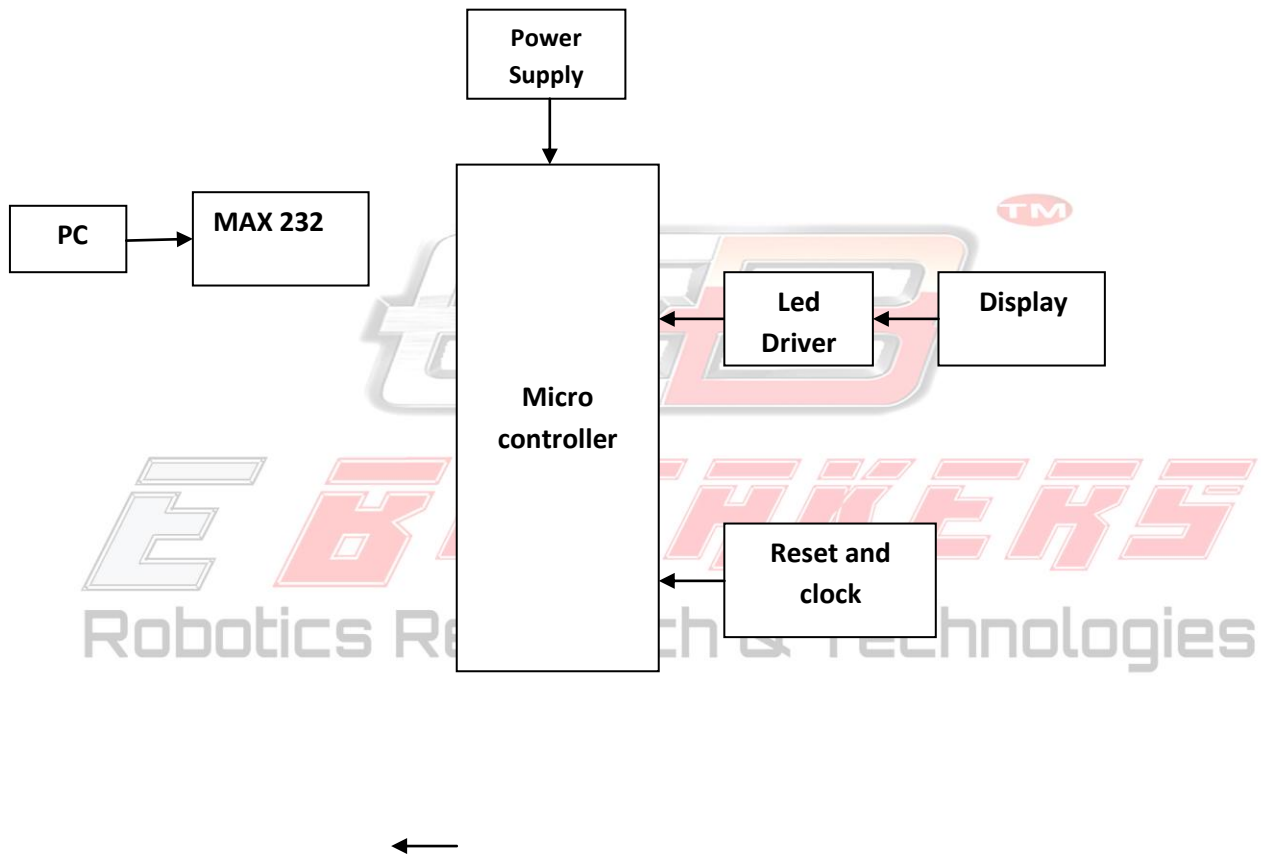
LED DISPLAY DRIVER FOR 8051 MICROCONTROLLER

Description:

An LED dot matrix display consists of a matrix of LED's arranged in a rectangular configuration. The desired character or graphics can be displayed by switching ON /OFF a desired configuration of LED's. Common display configurations available are 7×5, 8×8, 7×15, etc. LED dot matrix can be used in simple display applications where the resolution is not a big concern. The figure below shows the arrangement of LEDs in a typical 7×5 dot matrix display.



Block diagram:



Hardware requirements:

1. Micro controller
2. 7 segment display



Software requirements:



1. Keil software
2. Embedded c

