

INDUSTRIAL AUTOMATION AND MONITORING SYSTEM USING 8051

Description:

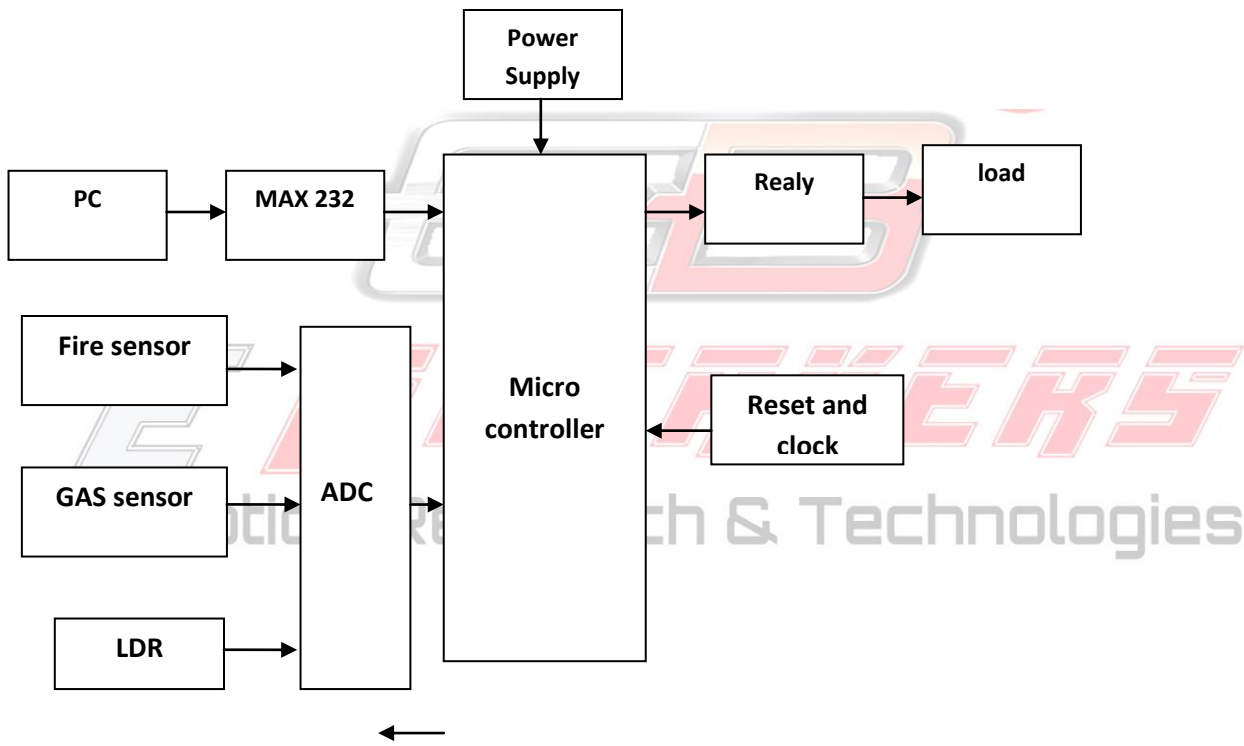
Industrial security is used for providing security to industrial equipment. In this project we are going to develop an embedded system, which will give security to all these devices.

In this project we are using 8051 based microcontroller to provide security to the equipments in the industry. A Buzzer is used in this project to give indication.

This automation system can also be used for home applications. It will control the home equipments.

EBREAKERS
Robotics Research & Technologies

Block diagram:



Hardware requirements:

1. Micro Controller
2. ADC
3. Fire sensor
4. Gas sensor
5. LDR
6. Relay
7. Load

Software requirements:

1. Keil software
2. Embedded c

