
INDUSTRIAL DATA LOGGER USING GSM TECHNOLOGY

The Embedded Technology is now in its prime and the wealth of knowledge available is mind-blowing. Embedded technology plays a major role in integrating the various functions associated with it. This needs to tie up the various sources of the department in a closed loop system. This proposal greatly reduces the manpower, saves time and operates efficiently without human interference. This project puts forth the first step in achieving the desired target. With the advent in technology, the existing systems are developed to have in built intelligence.

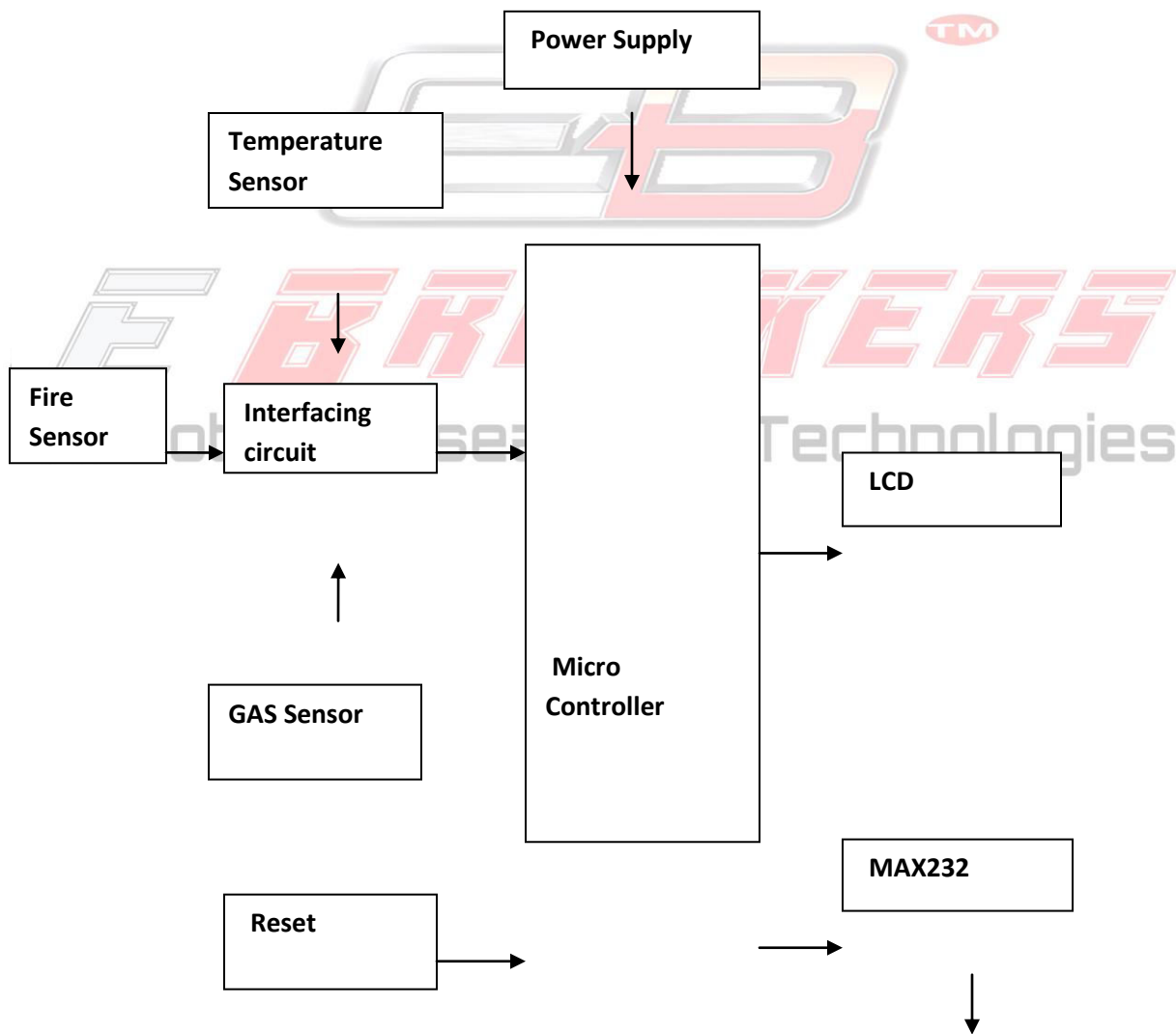
Existing System:

The existing system consists of wired operation by means of manual call points. Moreover there are chances of losing some valuable data, which might be the reason for lots of accidents thereby consuming lots of human life.

Proposed System:

Wireless communication has been proposed in this system which enhances the systems capability, and reduces the errors caused in wired communication. We are going to place a Fire detecting part in Microcontroller The gas and Temperature sensor detects the abnormality level of the analog voltage and will produce corresponding voltage variations. The comparator compares the level and gives signal to the MC, which in turn sends the SMS Text via GSM Modem. In the receiver part, the receiver collects the information and will create an alert in case of any abnormality in user number pre stored in microcontroller.

BLOCK DIAGRAM





Hardware Requirements:

- MAX232
- GSM
- Fire Sensor
- Microcontroller.
- Temperature sensor
- Gas sensor
- LCD



Software Requirements:

- Keil Compiler
- Embedded 'C'