

## DETECTION OF METALS USING 8051 MICROCONTROLLER

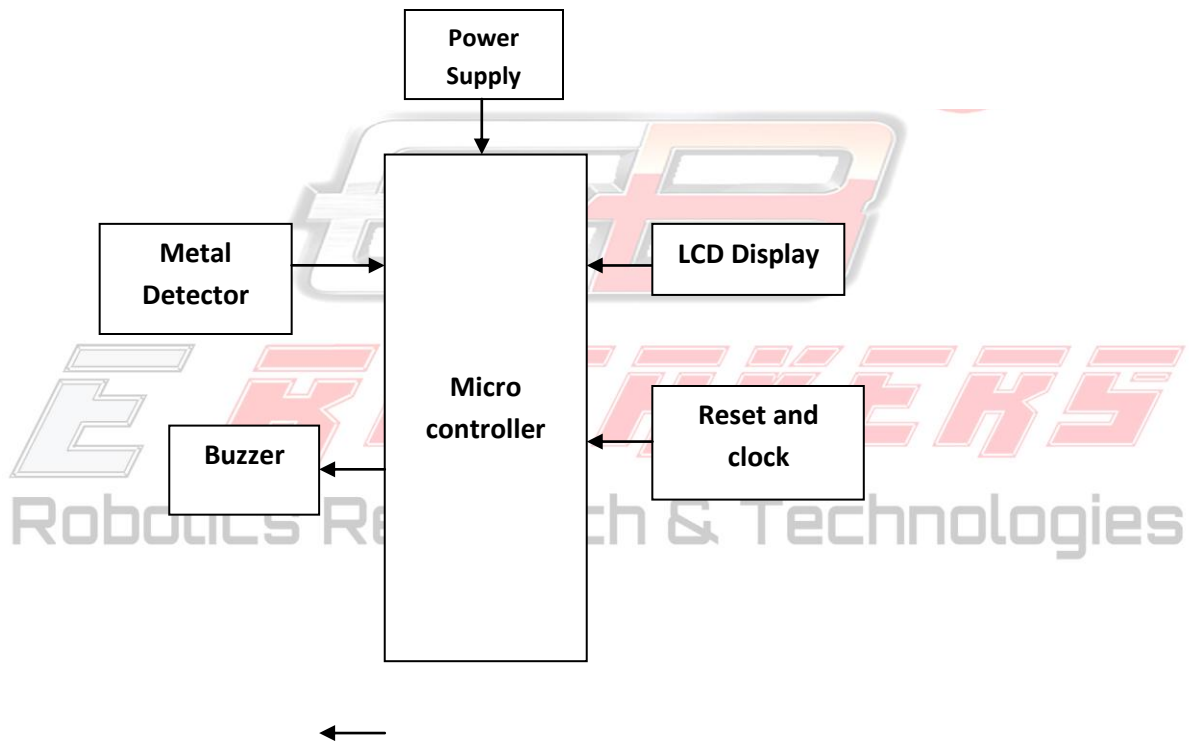
### Description:

The main aim of this **Metal Detection by Robot project Report and documentation** is to detecting the obstacle (metal), and weapons (gun, knives) this can be done by using Robot. In this project **ANTI TANK MINE DETECTOR** is automated in the robot. The anti tank mine detector is used for finding mine when robot moving on the earth. It is the robotic vehicle it can understand the mine and obstacle. This robot consists of memory to store the obstacle position and the robot can move in safe path.

The metal detector consist of oscillator produces the alternating current passes throw the coil and producing alternating magnetic field. For the signal is in condition the signal from the comparator must be match with the microcontroller.

Robotics Research & Technologies

**Block diagram:**



**Hardware requirements:**

1. Micro controller
2. LCD
3. Metal detector
4. Buzzer



**Software requirements:**



1. Keil software
2. Embedded c

