

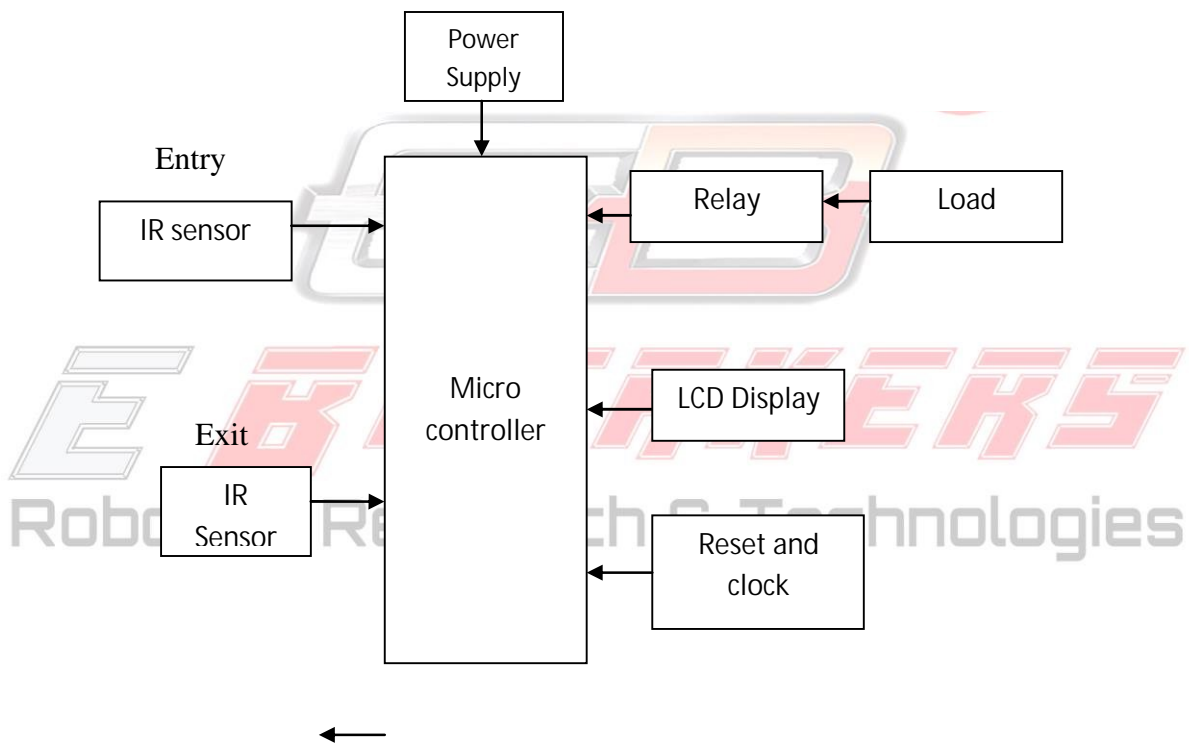
## **AIR CONDITIONS CONTROLLED BY DENSITY BASED USING 8051 MICROCONTROLLER**

### **Description:**

Home/office automation is the control of any or all electrical devices in our home or office, whether we are there or away. Home/office automation is one of the most exciting developments in technology for the home that has come along in decades. There are hundreds of products available today that allow us control over the devices automatically, either by remote control; or even by voice command. Home automation (also called domotics) is the residential extension of "building automation". It is automation of the home, housework or household activity. Home automation may include centralized control of lighting, HVAC (heating, ventilation and air conditioning), appliances, and other systems, to provide improved convenience, comfort, energy efficiency and security. Disabled can provide increased quality of life for persons who might otherwise require caregivers or institutional care.

Robotics Research & Technologies

**Block diagram:**



**Hardware requirements:**

1. Micro controller
2. LCD
3. Relay
4. Load
5. IR Sensor



**Software requirements:**

1. Keil software
2. Embedded c

**EBREAKERS**  
Robotics Research & Technologies

