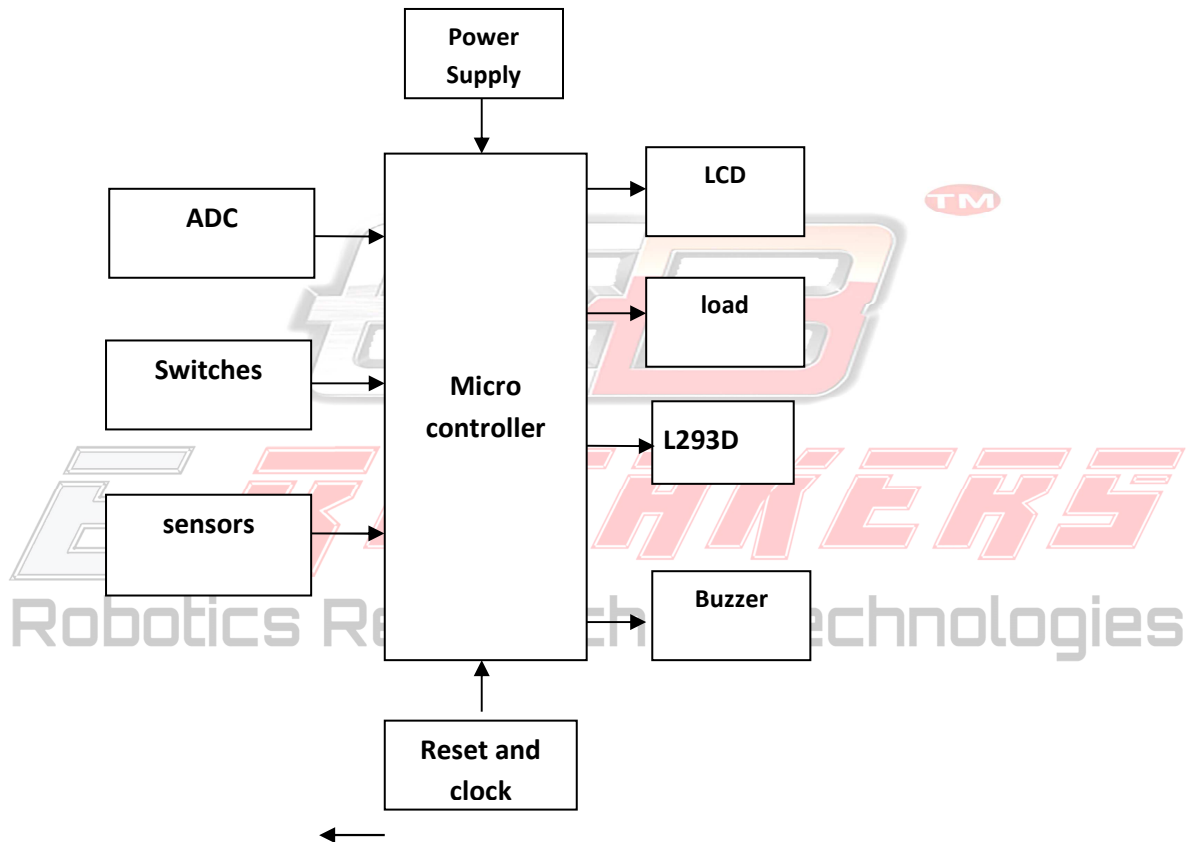


# 8051 MICROCONTROLLER DEVELOPMENT BOARD

## Description:



**Block diagram:**



### Hardware requirements:

1. Micro Controller
2. ADC
3. Fire sensor
4. Smoke sensor
5. Temperature sensor
6. Buzzer
7. Lcd display

### Software requirements:

1. Keil software
2. Embedded c



**EBREAKERS**  
Robotics Research & Technologies

