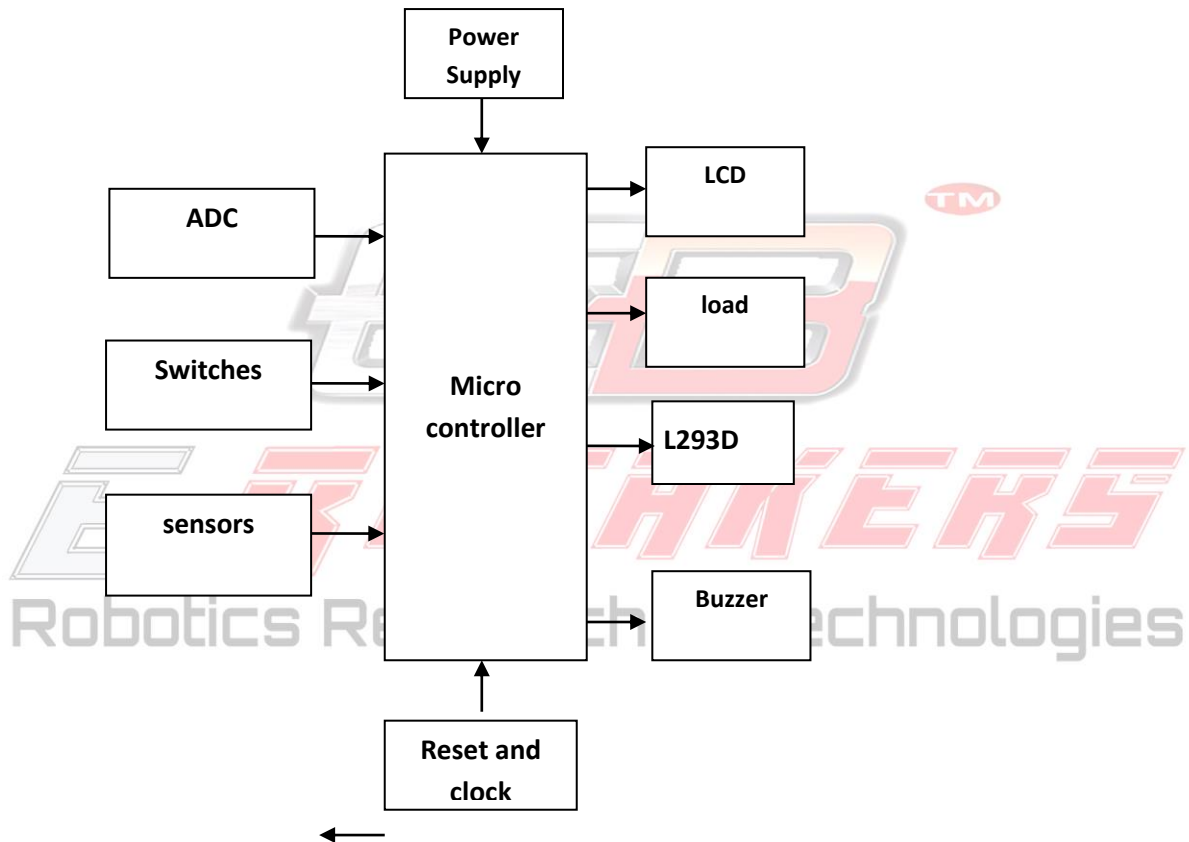


8051 MICROCONTROLLER DEVELOPMENT BOARD

Description:



Block diagram:



Hardware requirements:

1. Micro Controller
2. ADC
3. Fire sensor
4. Smoke sensor
5. Temperature sensor
6. Buzzer
7. Lcd display

Software requirements:

1. Keil software
2. Embedded c

